



David Round, Inc  
 Ruger Division  
 10200 Wellman road  
 Streetsboro, OH 44241  
 Phone: 330-656-1600  
 Fax: 330-656-1601  
 www.davidround.com

**AFFORDABLE****WIDE BASE****VERSATILE****DEPENDABLE**

## HP-2W

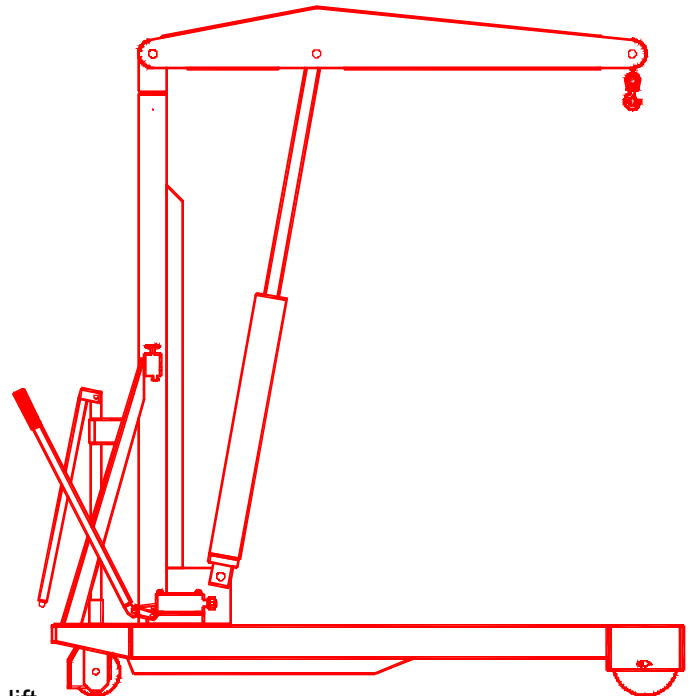
- **4000 lb. Capacity**
- **Wider base for greater versatility**

### ACCESSORIES

- **Floor Lock**
- **Phenolic or Polyurethane Wheels**
- **Extension Boom**
- **Power-Pak**

### STANDARD FEATURES

- Meets Ruger's engineering standards of 150% structural overload of maximum rated capacity
- Double action hand pump for quicker and easier lift
- Built-in hydraulic overload relief valve (An original Ruger patent)
- Needle type release valve permits pin-point control over lowering and holding of the heaviest or lightest loads
- Steel casters with roller bearing wheels
- Swivel hook with safety latch and chain to support heavy loads
- EZ-Steer



The wide base design makes the HP-2W a powerful and versatile floor crane. Tested and exceeds ANSI/ASME PALD standards. Meets ANSI Z.535

Prices, Specifications, and Options are subject to Change Without Notice.

All Ruger products are shipped F.O.B. Streetsboro, Ohio 44139

FAX: 330-656-1601

E-mail: [info@davidround.com](mailto:info@davidround.com)



David Round, Inc.  
 Ruger Division  
 10200 Wellman road  
 Streetsboro, OH 44241  
 Phone: 330-656-1600  
 Fax: 330-656-1601  
 www.davidround.com

**AFFORDABLE**

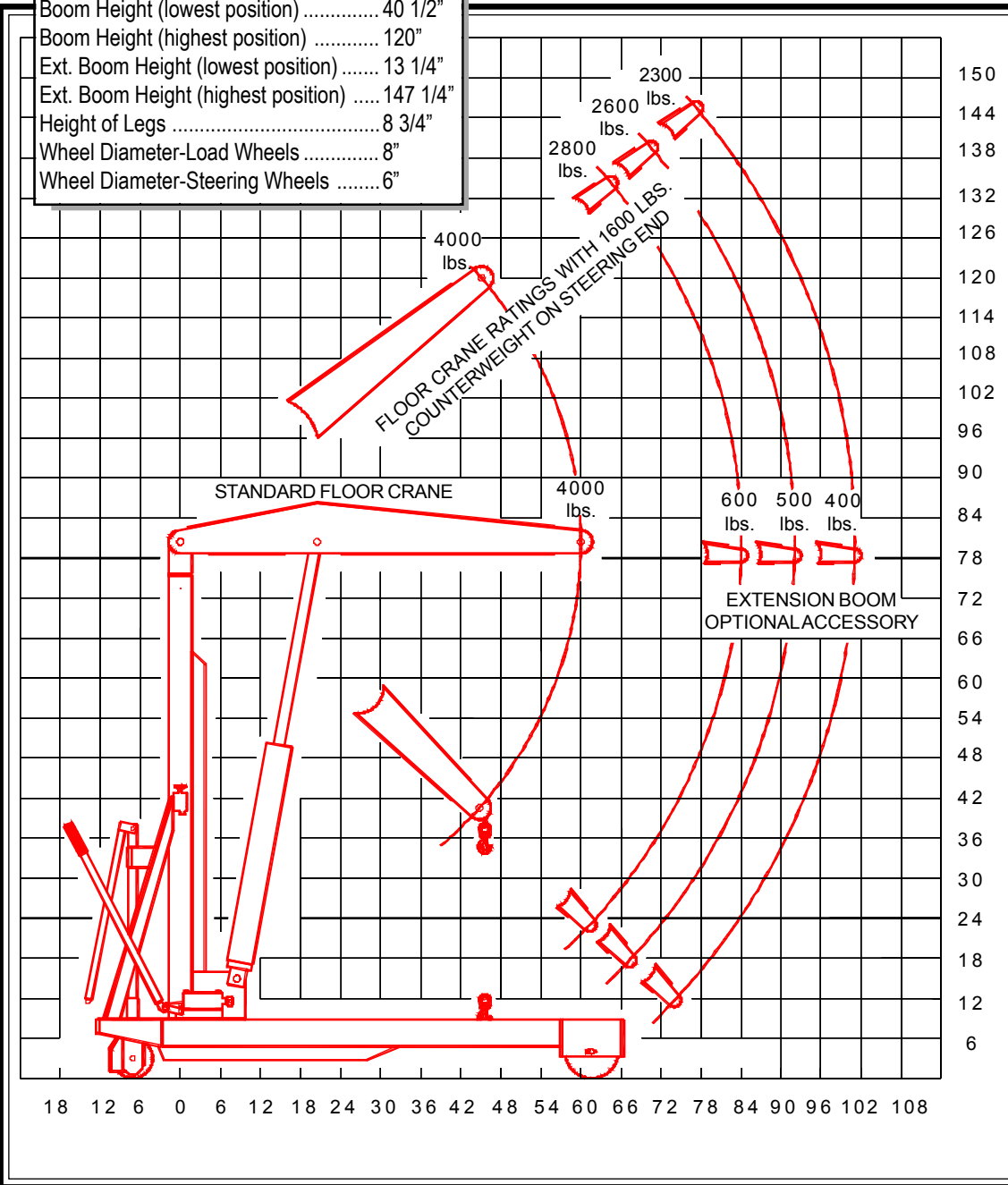
**WIDE BASE**

**VERSATILE**

**DEPENDABLE**

# MODEL: HP-2W

Model .....	HP-2W
Max. Capacity .....	4000 lbs
Overall Base Length .....	79"
Overall Width .....	43 1/4"
Overall Height .....	82 1/4"
Width Between Legs .....	35"
Boom Reach Retracted .....	60"
Boom Reach Extended .....	101"
Boom Height (lowest position) .....	40 1/2"
Boom Height (highest position) .....	120"
Ext. Boom Height (lowest position) .....	13 1/4"
Ext. Boom Height (highest position) .....	147 1/4"
Height of Legs .....	8 3/4"
Wheel Diameter-Load Wheels .....	8"
Wheel Diameter-Steering Wheels .....	6"



**NOTE:**  
 Ruger can modify  
 any standard  
 dimensions  
 to meet specific  
 customer needs.