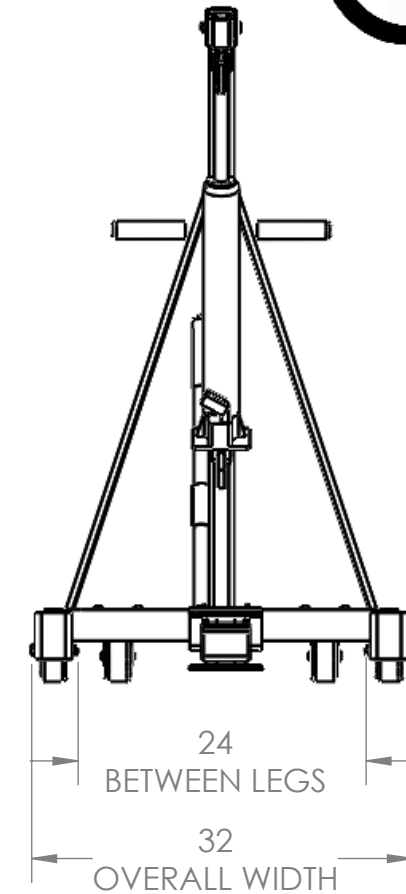
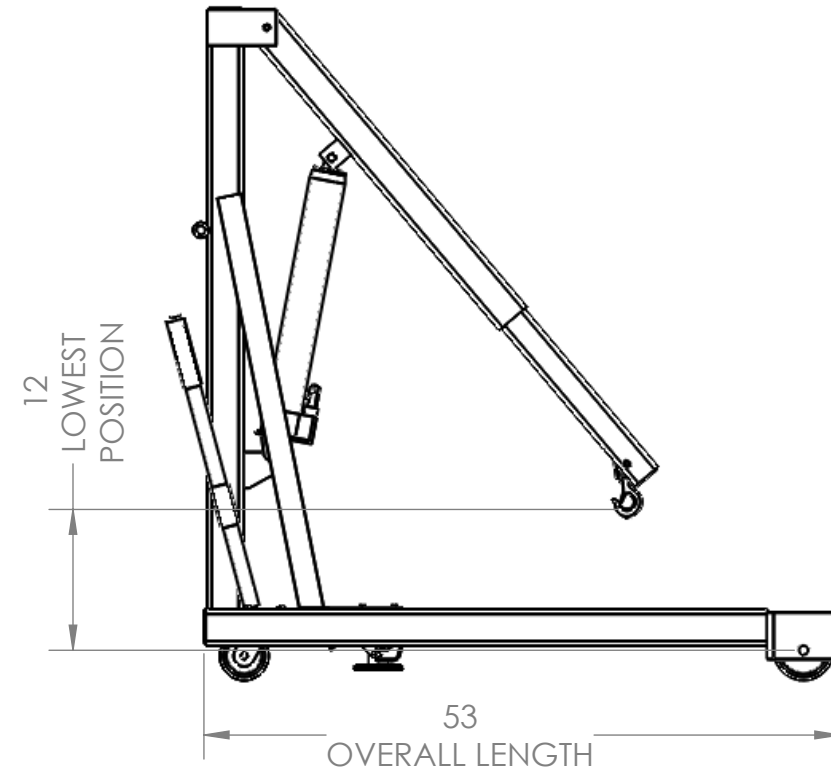
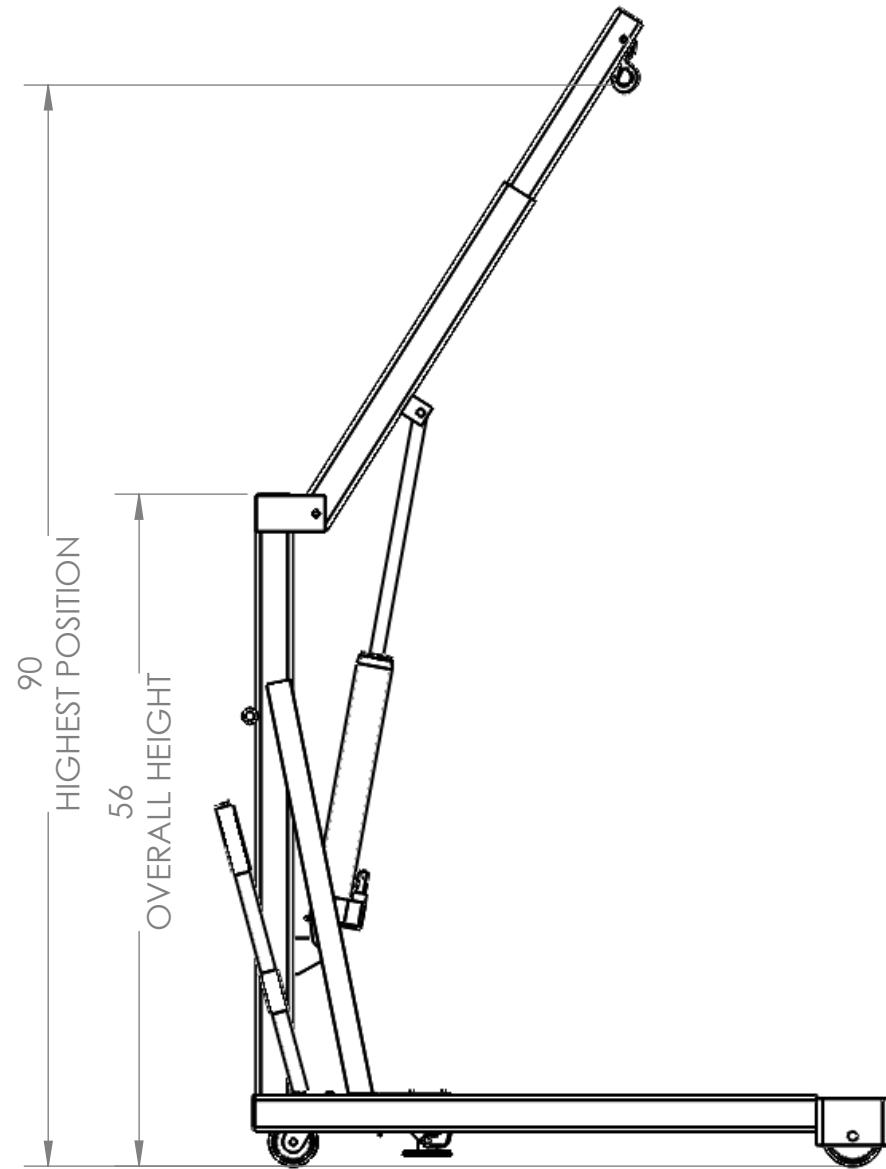




RG-RC500-1

- Straddle style floor crane
- 500 LB capacity
- Self contained hydraulic double acting bottle jack
- Meets Ruger's structural engineering standards for 150% of rated lifting capacity



Ruger®

Meets ASME PALD standards for shop cranes.
Conforms to ANSI Z535 standards.